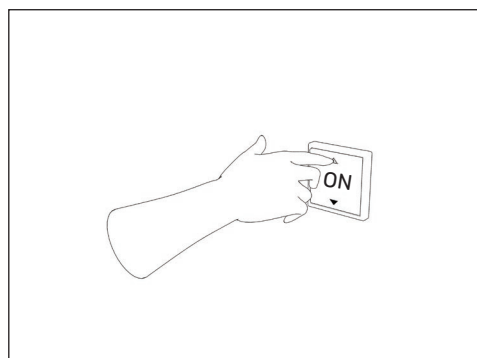
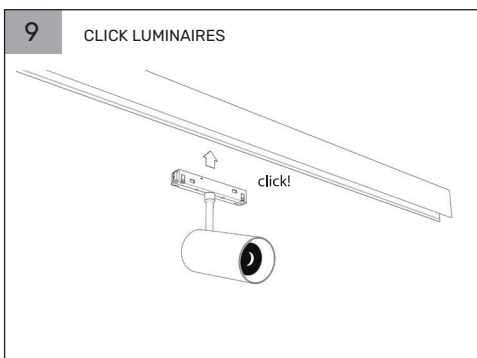
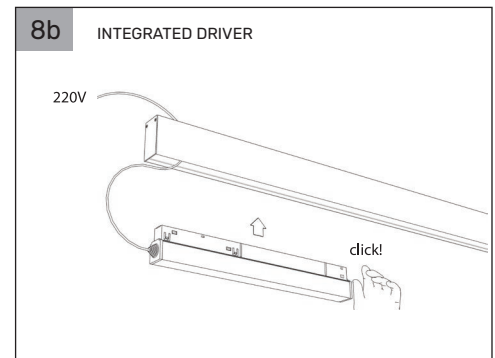
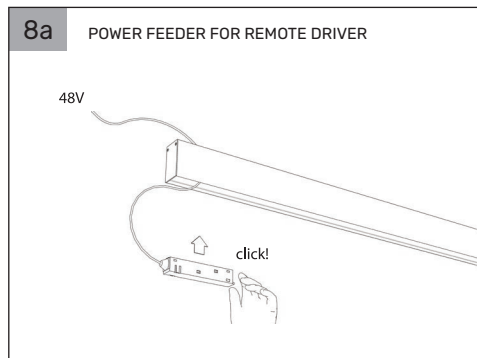
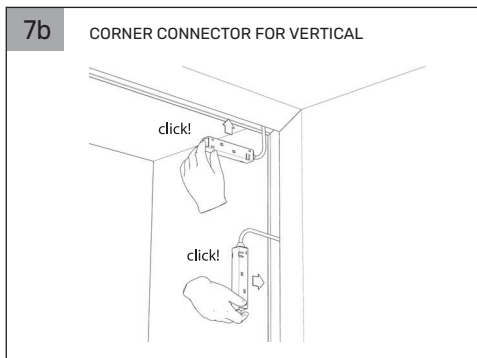
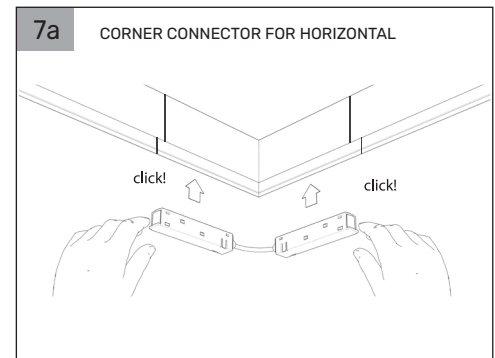
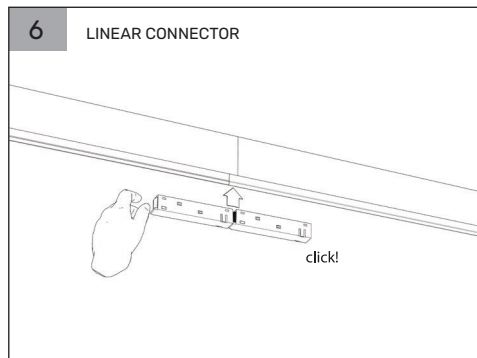
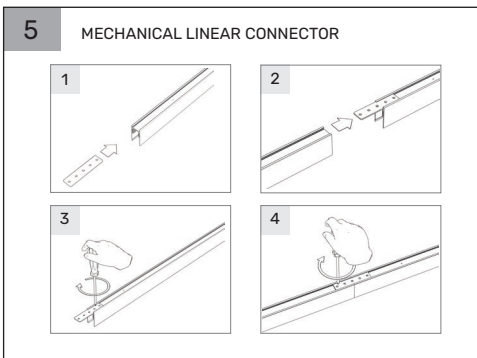
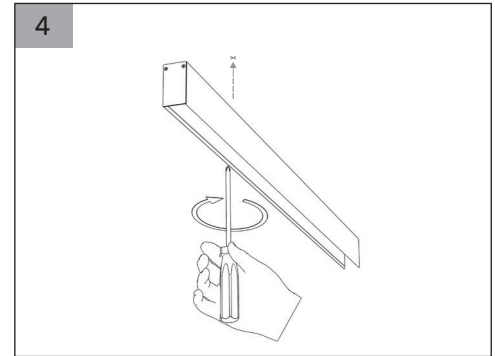
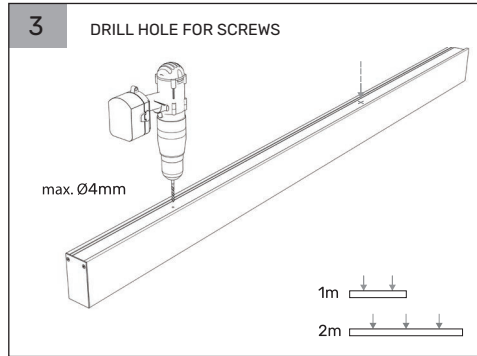
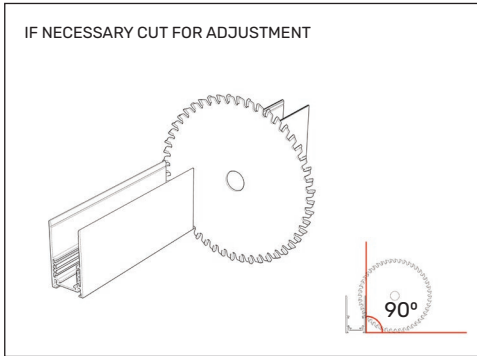
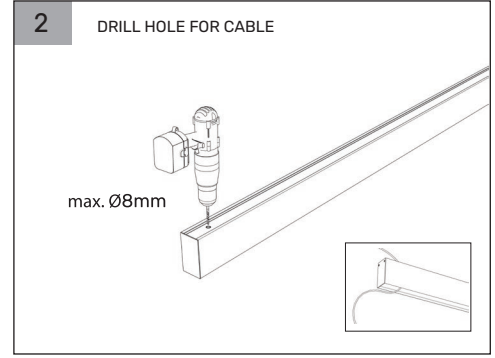
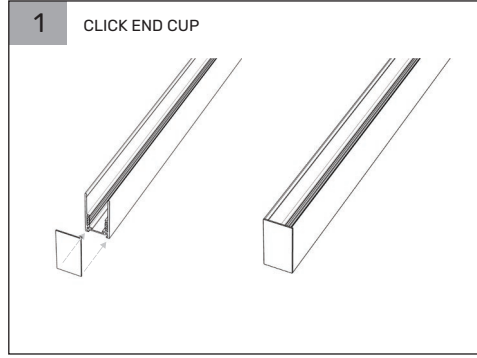
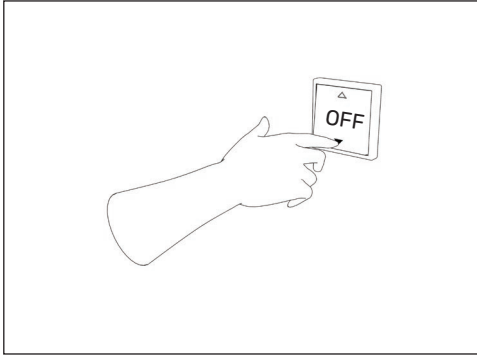


# Z2000-48 SR

Surface system mounting instruction

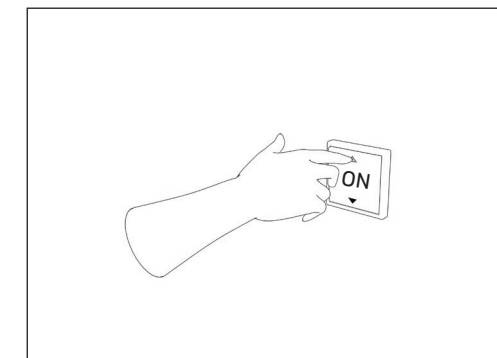
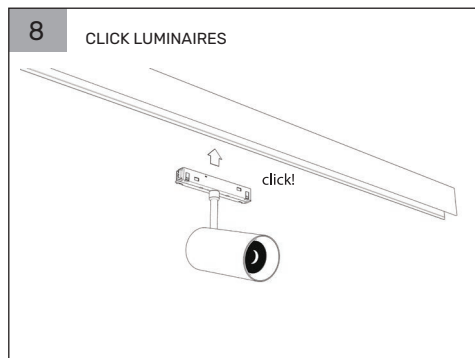
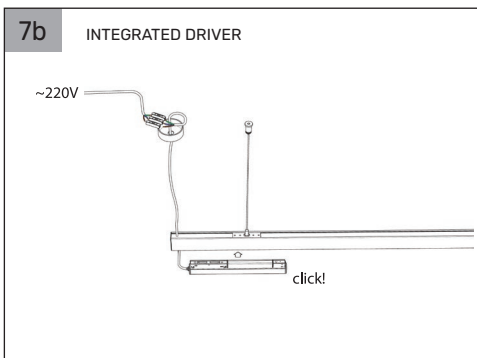
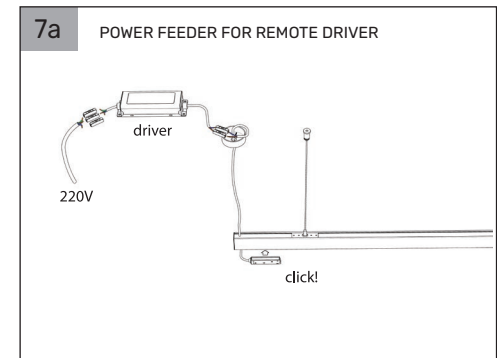
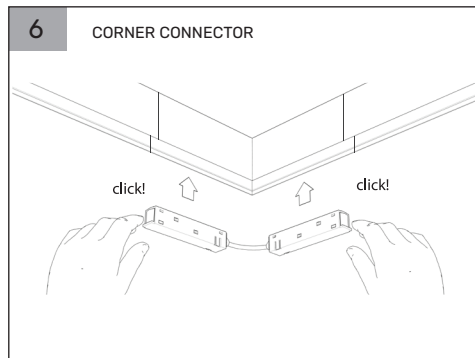
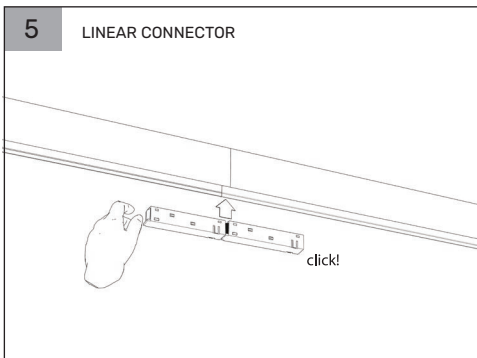
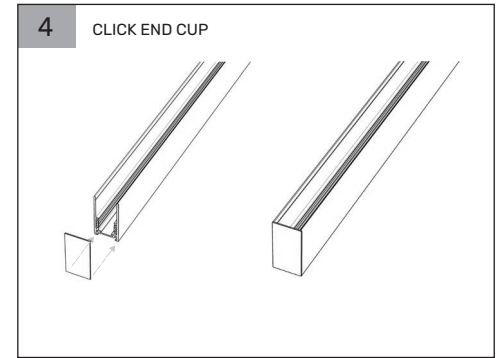
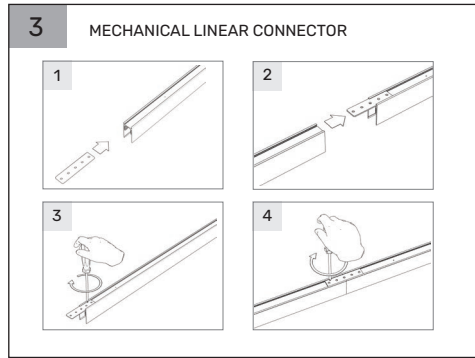
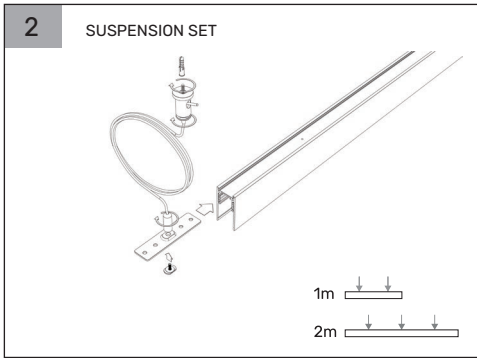
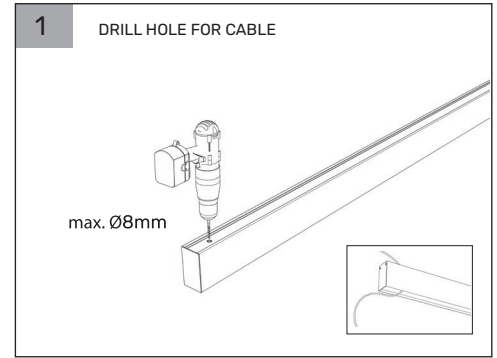
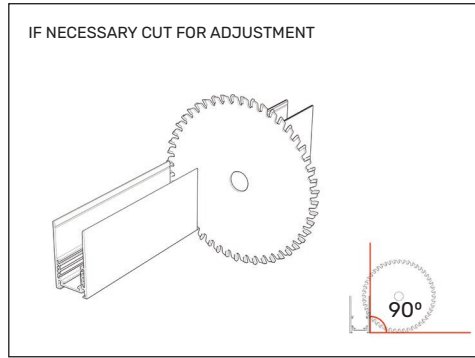
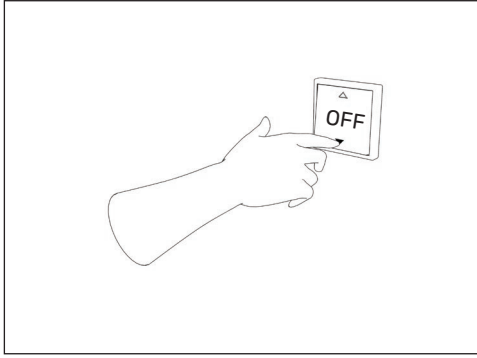
# zonda lighting



# Z2000-48 SR

Suspension system mounting instruction

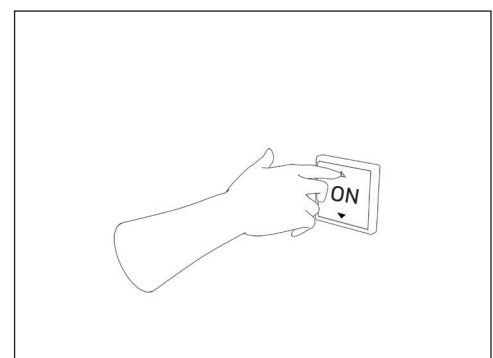
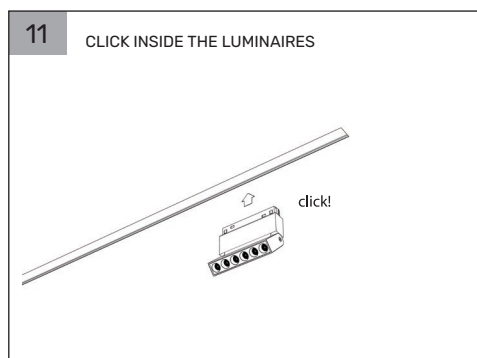
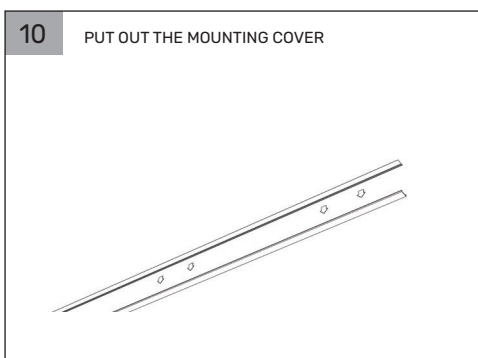
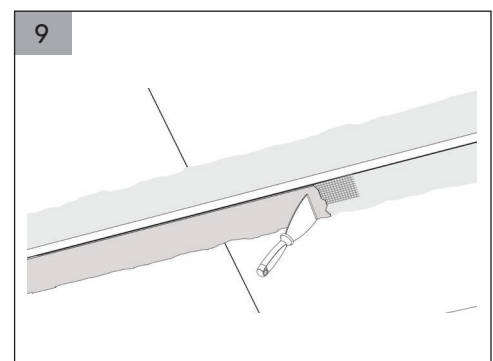
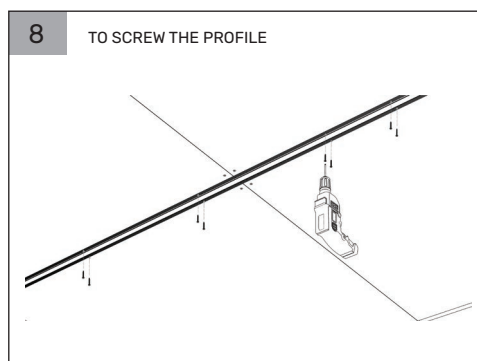
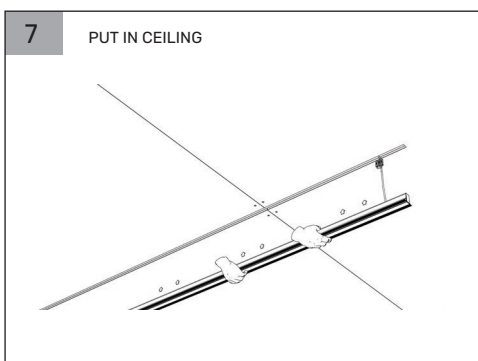
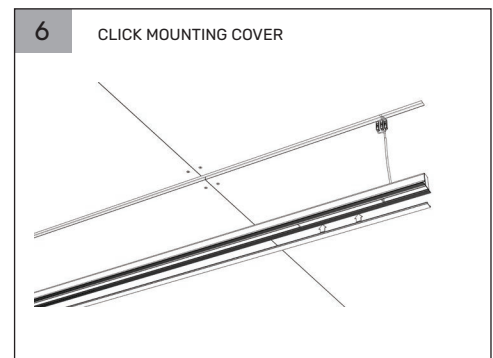
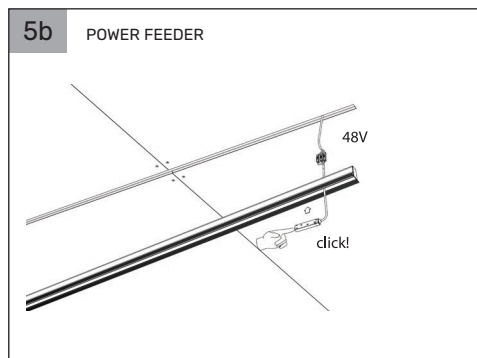
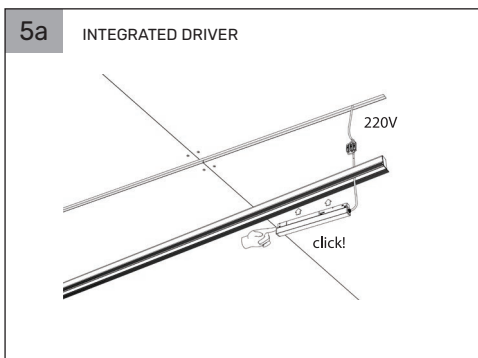
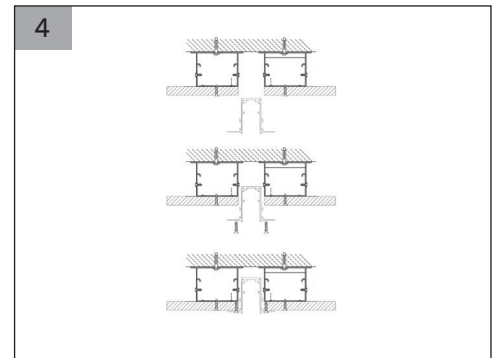
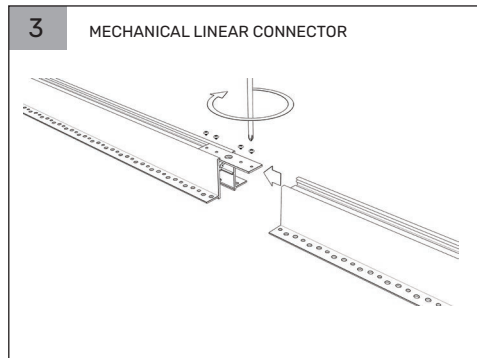
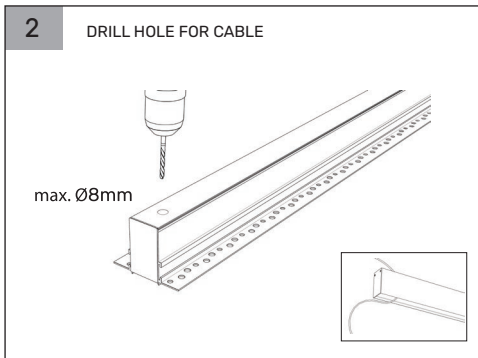
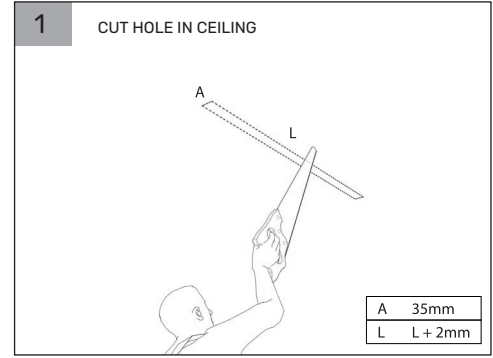
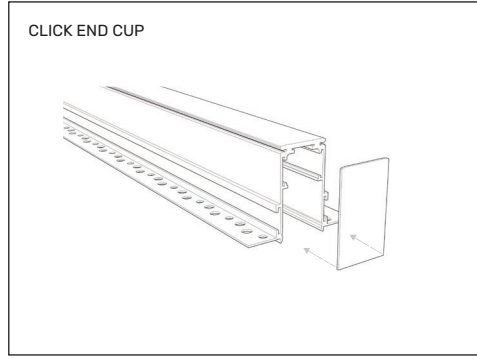
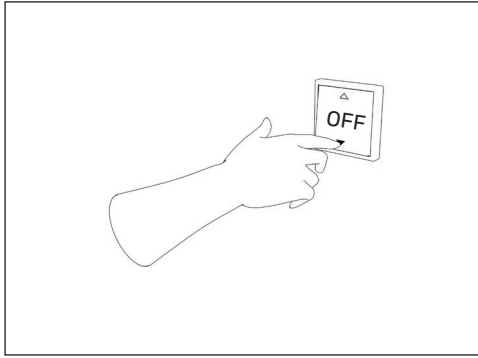
# zonda lighting



# Z2000-48 TR

Recessed system mounting instruction

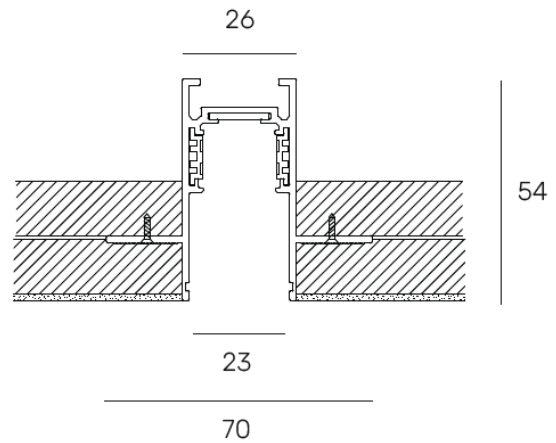
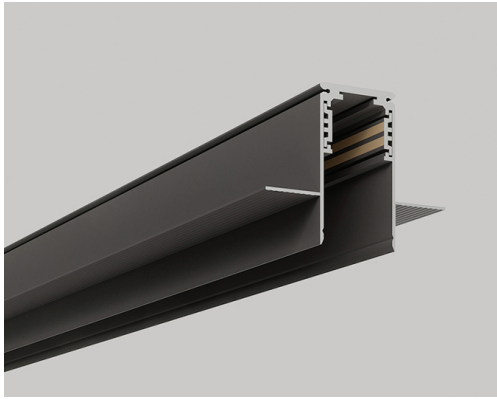
# zonda lighting



# Z2000-48 TRW

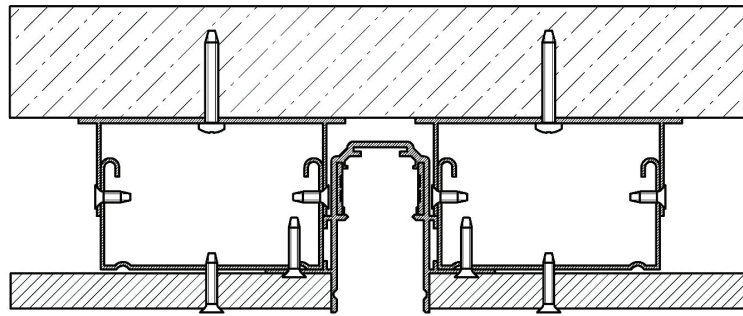
Recessed system mounting instruction

# zondalighting

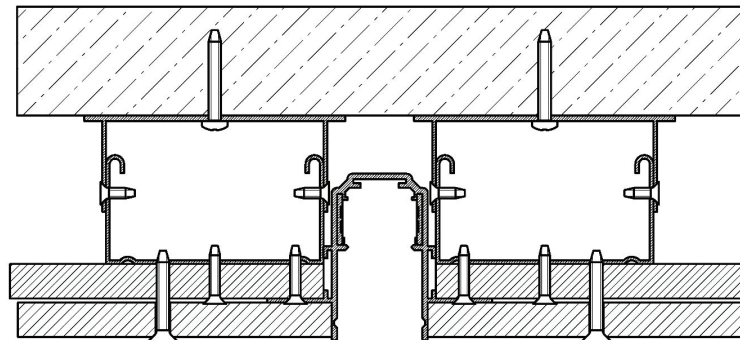


## Installation diagram for profiles in a plasterboard ceiling

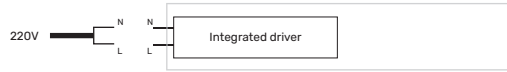
A recessed mounted track for installation in a plasterboard ceiling can be mounted using 1 layer of plasterboard.



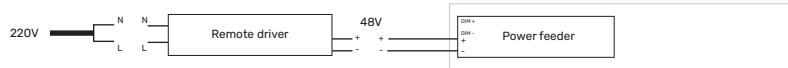
A recessed mounted track for installation in a plasterboard ceiling can be mounted using 2 layers of plasterboard.



## INTEGRATED DRIVER SCHEME



## REMOTE DRIVER SCHEME



## DIMMABLE DALI SCHEME

